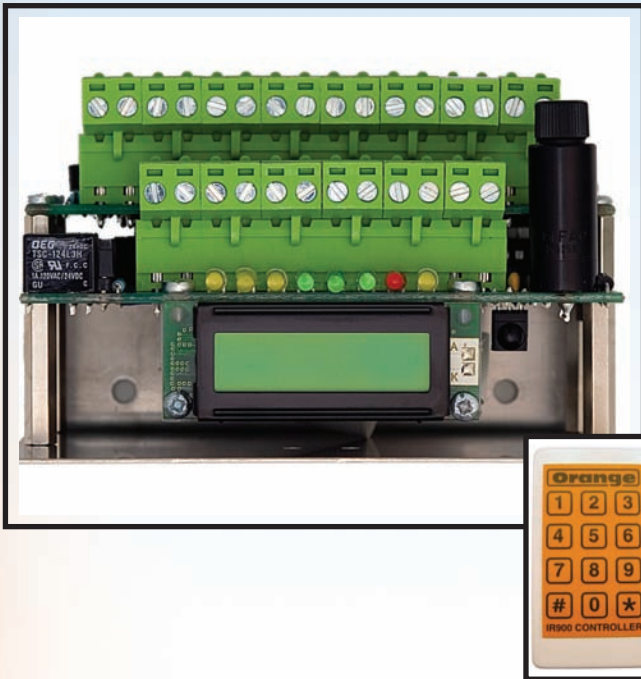


IRP200 and IR900

INFRA RED ACTUATOR POSITIONER



ATEX Certified keypad

Extreme environment operation

Ex'd' enclosure mountable

Optimised for electro-hydraulic actuators

The IRP200 is designed for controlling electro-hydraulic actuators within hazardous areas.

The IR900 handheld infra red keypad can be used freely, within a hazardous area, to calibrate and configure the IRP200, via a window in its flameproof enclosure, and without having to purge the area of hazardous gases or liquids.

KEY FEATURES

- On board display
- Full local control
- Comprehensive system status reporting
- Secure pass-code protection
- Several mounting options

IRP200 and IR900

INFRA RED CONTROLLER AND KEYPAD VALVE ACTUATOR CONTROLLER

IRP200 ELECTRO-HYDRAULIC ACTUATOR POSITIONER AND IR900 IS KEYPAD

The IRP200 positioner, when housed in a windowed Ex'd enclosure, can provide full local control and configuration of an electro-hydraulic actuator system within a Zone 1 hazardous area. The IRP200 has a two line alphanumeric display and responds to the operation of an intrinsically safe IR900 keypad, via an infra red link through an Ex'd windowed enclosure. This link enables configuration, calibration and tuning of the positioner whilst operating on a live system.

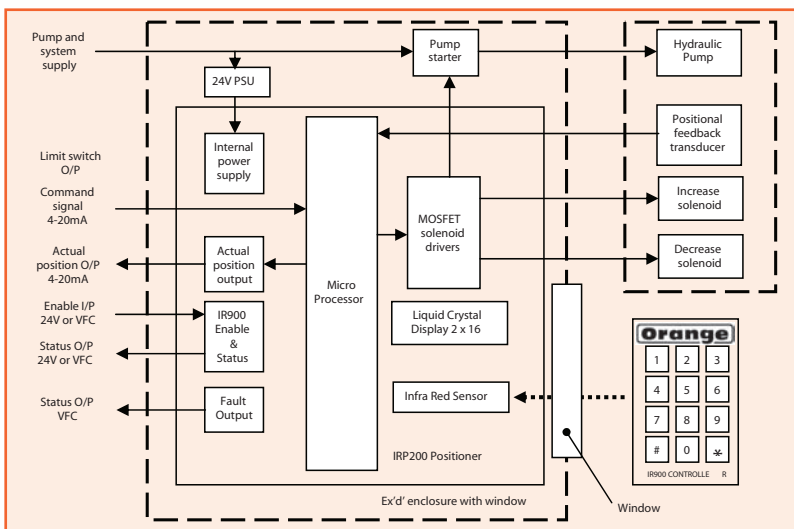
The IRP200 has a fully isolated retransmitted actual position signal and comprehensive alert systems.

The IR900 keypad is a fully certified intrinsically safe handheld unit.

The entire system has been proven in extreme environments both on and off-shore.

MAIN FEATURES

- Configuration via infra red keypad within Zone 1
- 2 x 16 character illuminated alphanumeric LCD
- Isolated actual position output 4-20mA source or 2-wire current
- Current or potentiometer feedback
- MANUAL mode via infra red keypad
- Stepping mode with adjustable ON and OFF times
- Comprehensive system fault analysis and action.
- Valve hard seating function
- Self contained hydraulic pump control on-demand and via pressure switches.
- Remote adjust disable input and system status output



Typical installation for a Zone 1 electro-hydraulic actuator



Orange Instruments supply bespoke control systems to the oil, petrochemical, gas, coal, nuclear, food and beverage, water treatment and household product sectors of the continuous process industry. The company has approvals ISO 9001:2000, Baseefa ATEX 1575, and is a Member of the HART Communications Foundation. Orange Instruments have been satisfying customers for more than three decades. They offer a comprehensive design and manufacturing service from concept, through system configuration, to final approval and supply.